

Willett 460

Small Character Continuous Ink Jet Printer



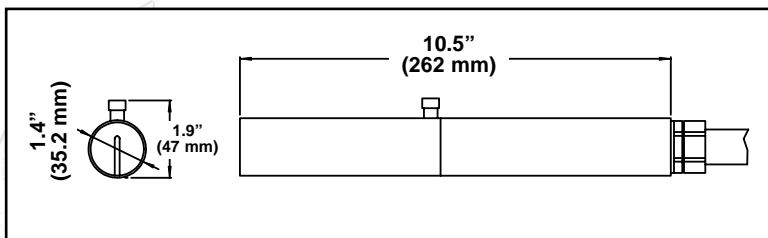
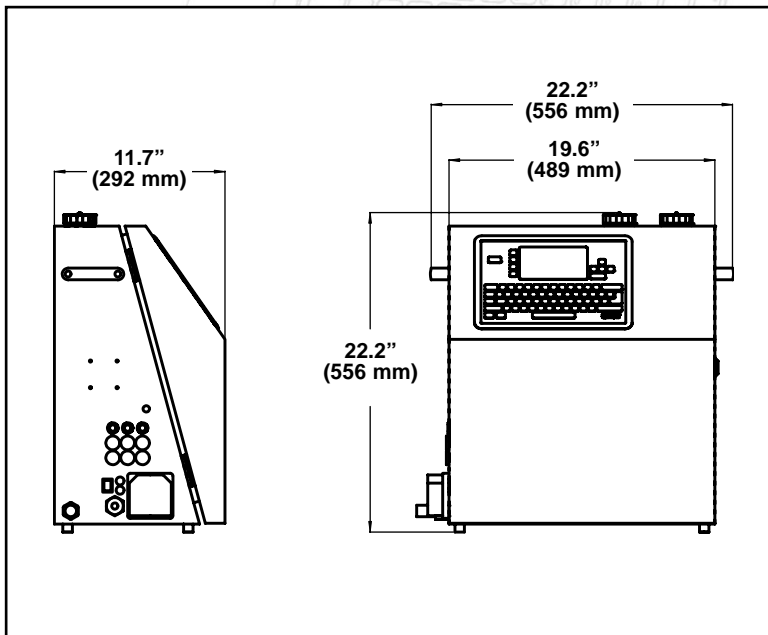
The Willett 460 has been designed with an emphasis on reliability and reduced running costs. This high speed 4 line printer has been developed to suit a wide range of applications within most industrial environments.

- ▲ High quality printing of text, bar codes and logos
- ▲ High speed coding
- ▲ Lowest cost per code
- ▲ Push button stop/start with automatic print head flushing
- ▲ Stainless steel IP54 cabinet
- ▲ Fully compatible with Connector software



Willet 460

Small Character Continuous Ink Jet Printer Technical Specification



Videojet Technologies Inc.
1500 Mittel Boulevard
Wood Dale IL • 60191-1073 • USA
Phone: 630-860-7300 • Fax: 630-616-3623
1-800-843-3610

Standard Features:

- Shift coding
- Maintenance due indicator
- Simple WYSIWYG message creation
- Up to 4 lines of code
- Automatic printhead flushing during start up and shut down
- Local language message editing and display
- Logo and graphics creation
- Password protection system
- Sequential numbering
- Continuous print capability
- Current and expiry time and date coding
- 10 feet (3 metre) printhead umbilical
- Bar code printing
- Optimum throw distance .36 inch (9mm)
- QWERTY Keypad
- Simple push button operation
- Multi-message storage
- Multi-national character printing
- Low solvent consumption
- IP54 stainless steel enclosure

Print Speed:

- Up to 2,133 chars/sec/line

Fonts:

- 5 x 5, 7 x 5, 9 x 6, 12 x 8, 16 x 11, 19 x 14, 24 x 17

Print Height:

- 0.08 to 0.4 inches (2 to 10 mm)

Electrical Requirements:

- 110/230 Vac 50/60 Hz
- 200VA

Environment:

- Temperature range 41°F - 113°F (5°C - 45°C)
- Humidity up to 90% non-condensing

Inks:

A comprehensive range of inks, including low environmental impact and substrate specific, for a variety of applications and industries

Data Input:

- Shaft encoder
- Product detector NPN/PNP
- RS232C serial port

Options:

- Modem and remote diagnostics support
- LAN port / RS485 / 20mA Loop
- Visual status indicators
- Alarm outputs
- Remote print message selection
- ECC 200 data matrix 2D barcode
- 20 foot (6 metre) printhead umbilical
- 90° printhead
- Printhead positive air kit
- Air dryer kit
- Stainless steel base

Approvals:

