



Laser Controller

# Videojet® Touch Control Software+

The Videojet Touch Control Software+ is engineered to control most Videojet lasers remotely through either the Videojet TU430 laser controller, or from virtually any browser-based device.\*

The Videojet Touch Control Software+ (TCS+) offers control at a new level, through an increased choice of devices with which to control most Videojet laser marking systems.

With easy integration into existing systems, the Videojet TCS+ can help save time, reduce cost of development, and minimize user induced coding errors in the food, beverage and pharmaceutical industries.



## Uptime Advantage

- Control most Videojet lasers using either the Videojet laser controller, or any browser-based device\*
- Increase visibility of laser status, and connect to several Videojet laser marking systems when using a browser-based device
- IP65 design suitable for harsh environments where dust and humidity are a challenge, or where the system is regularly washed down

## Built-in productivity

- Flexibility in the choice of devices available to control compatible Videojet laser marking systems, with no need to download additional software
- Line setup wizard for fast integration and new product introduction
- Easy-to-use free form template editor for fast content creation and management

## Code Assurance

- Enhanced user access control minimizes user induced errors and downtime
- Automated messages and simple code entry reduce the risk of rework and recalls
- Event logging feature helps to track system changes

## Simple Usability

- Laser controller features a color touchscreen interface which is easier to use than previous Videojet models
- Identical look and feel of the user interface helps to ensure seamless operation in production lines
- Highly responsive, modern browser functionality can be used on most Videojet laser marking systems

\*Not applicable for Safari browser.

# Videojet® Touch Control Software+

## Laser Controller

### Display

10.1-inch 1024 x 600 full-color LCD touch screen  
WYSIWYG print preview

### Controller dimensions

11.8" (300mm) wide  
8.5" (215mm) high  
2.0" (50mm) deep

### Connectivity

Connections: 2 x USB 2.0  
Laser system connection: LVDS/USB/24 V

### Electrical requirements

Power: 24 V from laser system  
Max. current: 0.2 A  
Cable length: 4m (LVDS/USB/24 V)

### Cooling system

Passive

### Environment

Temperature 40-105° F (5-40° C)  
Humidity 10%-90%, non-condensing

### Sealing and safety standards

IP65 with inserted USB protective caps  
The electrical safety of the equipment has been tested according to the test defined in EN 62368-1:2014 / IEC 62368-1:2014 2nd Edition

### Approximate weight

4.9lbs (2.2kg)

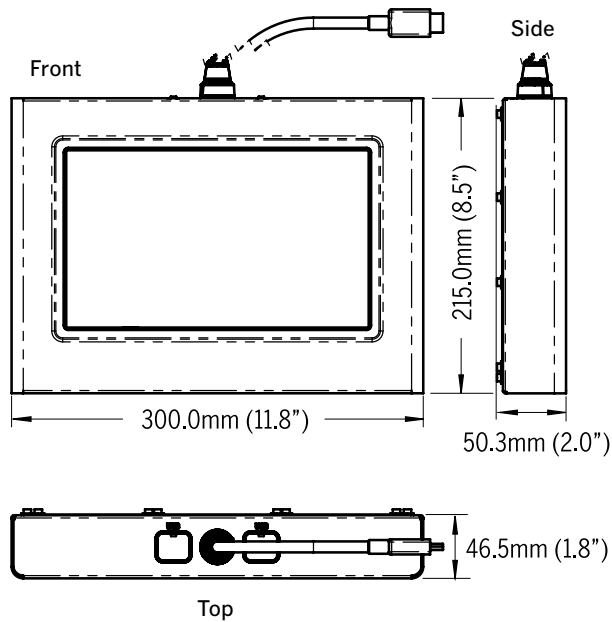
### Housing construction

Stainless steel

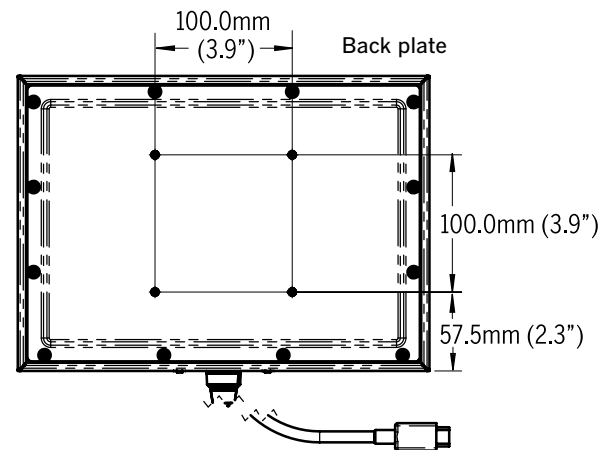
### Mounting

4 holes in backplate, compatible with VESA 100

### Controller dimensions



### Mounting dimensions



Call **800-843-3610**

Email **info@videojet.com**

or visit **www.videojet.com**

Videojet Technologies Inc.

1500 Mittel Blvd. Wood Dale IL 60191 / USA

©2018 Videojet Technologies Inc. — All rights reserved.

Videojet Technologies Inc.'s policy is one of continued product improvement. We reserve the right to alter design and/or specifications without notice.

Part No. SL000658  
ss-tcs-us-0418  
Printed in U.S.A.

