

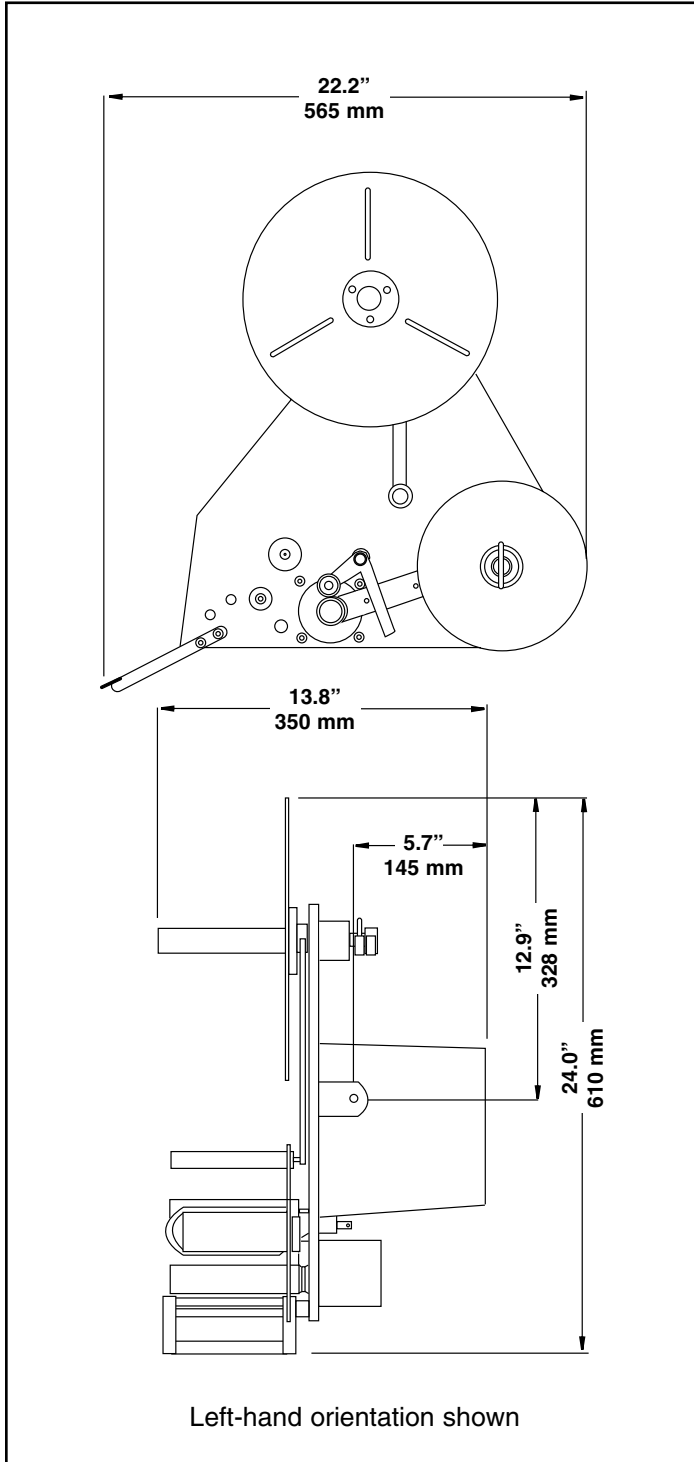
Industrial Label Application

The Labeljet 210 is a modern, microprocessor controlled, industrial label applicator. The integral stepper motor drives the label web at up to 98 feet per minute (30 m/min.). A shaft encoder input (for speed compensation) is standard, and optional application methods include tamp and blow modules.

- **Fast and accurate**
- **Simple operation**
- **Low maintenance**
- **High speed**
- **Microprocessor control**
- **Stepper motor**
- **Storage of multiple production settings**



We Build Confidence...



Specifications

Standard Features:

Label size: Min 0.5" (W) 0.5" (L) (12 mm x 12 mm)
Max: 4.0" (W) x 19.7" (L) (104 mm x 500 mm)
Direction: left or right-hand
Accuracy: better than $\pm 0.04"$ (1mm)
Speed range: 6.6 feet to 98.4 feet/min. (2 m to 30 m/min.) variable
Unwind capacity: 11.8" (300 mm) diameter (15.7" / 400 mm optional)
LCD display with language-independent icons
Setup functions for: web speed, label stop, label sensitivity, product delay and coder dwell
10 memory storage locations
3" (76 mm) core diameter

Control console

Standard Inputs:

Product detector
Shaft encoder
Dual photocell

Standard Outputs:

Lamp stack
Tamp/blow
Alarm
Hot stamp
Air assist

Options:

Mounting stand
Product detector
Blow module
Shaft encoder
Alarm stack
Tamp module

Electrical Requirements:

230 or 110 VAC 50 - 60Hz
250VA

Weight:

50.8 lbs (23 kg)

Environment:

32° to 113°F (0 ° to 45°C)

Approvals:

CE TÜV

© 2006 Videojet Technologies Inc. – All rights reserved. Videojet Technologies Inc.'s policy is one of continued product improvement. We reserve the right to alter design and/or specifications without notice. Labeljet is a trademark and Videojet is a registered trademark of Videojet Technologies Inc.



800-843-3610 • www.videojet.com • info@videojet.com

Videojet Technologies Inc. • 1500 Mittel Boulevard
Wood Dale IL • 60191-1073 • USA
Phone: 630-860-7300 • Fax: 630-616-3623

Part No. SL000385
Labeljet 210-1106
Printed in U.S.A.